

NORTHWEST PIPE FITTINGS, INC
OF SCOTTSBLUFF, NE

SLOAN FLUSH VALVES

COMPUTER #	DESCRIPTION	
266-0050	111XL REGAL FLUSH VALVE 1.6gpf	
266-0088	110XL REGAL FLUSH VALVE 3.5gpf	
266-0134	186XL REGAL FLUSH VALVE 1.5gpf	
266-0137	186-1XL REGAL FLUSH VALVE 1.0gpf	



111XL - 110XL



REPAIR PARTS

266-0240	F-3 3/4" FRICTION RING	
266-0242	F-3 1 1/4" FRICTION RING	
266-0243	F-3 1 1/2" FRICTION RING	
266-0253	VBF-5 1 1/4" SLIP-JOINT GASKET	
266-0254	VBF-5 1 1/2" SLIP-JOINT GASKET	
266-0328	H553 5308696 "O" RING	
266-0482	H700A 3308386 1" SD ANGLE STOP	
266-0490	H700A 3308384 3/4" SD ANGLE STOP	
266-0520	V500AA 5323005 3/4"x9" VAC BREAKER	
266-0540	V500AA 5323006 1 1/4"x9" VAC BREAKER	
266-0596	V500AA 5323007 1 1/2"x9" VAC BREAKER	
266-0626	3301036 A-36-A CLOSET REPAIR KIT	
266-0650	3301037 A-37-A URINAL REPAIR KIT	
266-0722	A56A 5301170 DIAPHRAGM	
266-0748	A156A 5301188 DIAPHRAGM	
266-0860	B50A 5302305 HANDLE REP KIT	
266-0908	V500A 5323010 VAC BREAKER REP KIT	
266-0932	V551A 3323192 VAC BREAKER REP KIT	
266-1006	A15A 5301111 MOLDED DISC	
266-1030	A19AC 5301058 RELIEF VALVE	



SLOAN

NORTHWEST PIPE FITTINGS, INC
OF SCOTTSBLUFF, NE

SLOAN[®]
OPTIMA SYSTEMS
Battery Powered Flushometers

G2
OPTIMA
plus[®]

COMPUTER #	DESCRIPTION	
266-2350	SLOAN 8111 OPTMA PLUS 1.6 F/CLOSET	
266-2362	SLOAN 8186-1.0LH OPTMA PLUS F/URINAL	



8111



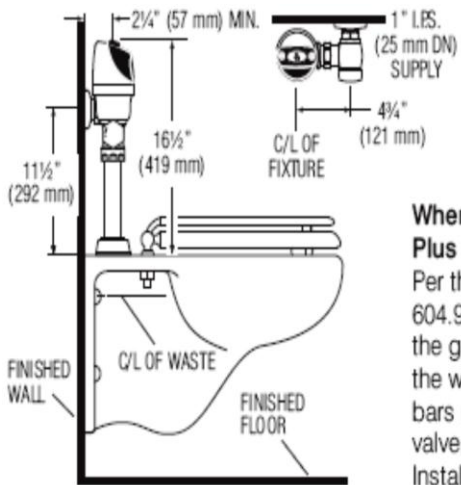
8186

REPAIR PARTS		
266-0880	EBV-136-A G2 SOLENOID	
266-0885	EBV-1020-A OPTMA REPAIR KIT F/CLOSET	
266-0887	EBV-1022-A OPTMA REPAIR KIT F/URINAL	



VALVE ROUGH-IN

Typical Water Closet Installation
Model 8110/8111



When installing the G2 Optima Plus in a handicap stall:
Per the ADA Guidelines (section 604.9.4) it is recommended that the grab bars be split or shifted to the wide side of the stall. If grab bars must be present over the valve, use the Alternate ADA Installation

VALVE ROUGH-IN

Typical Urinal Installation
Model 8186

