



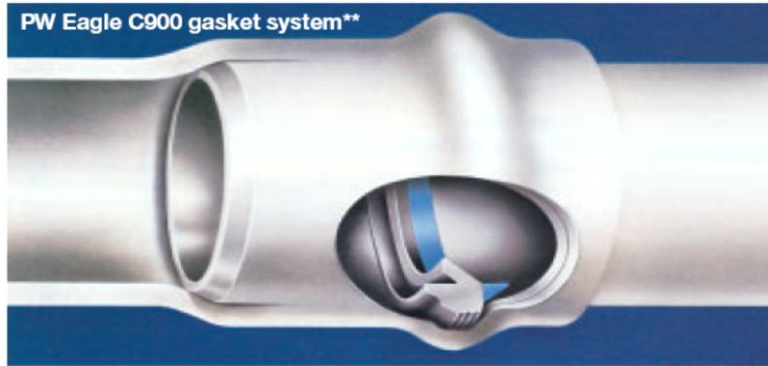
**NORTHWEST PIPE FITTINGS, INC
OF SCOTTSBLUFF, NE**



C-900 WATER MAIN PIPE

COMPUTER #	DESCRIPTION	
198-0050	4"x20' CL150 DR18 C-900 BLUE WATER PIPE	
198-0164	6"x20' CL150 DR18 C-900 BLUE WATER PIPE	
198-0278	8"x20' CL150 DR18 C-900 BLUE WATER PIPE	
198-0294	10"x20' CL150 DR18 C-900 BLUE WATER PIPE	
198-0308	12"x20' CL150 SR18 C-900 BLUE WATER PIPE	

price is per foot



PIPE LUBE		
192-0740	L95-200 QUART PIPE LUBE	
192-0745	L95-201 GALLON PIPE LUBE	

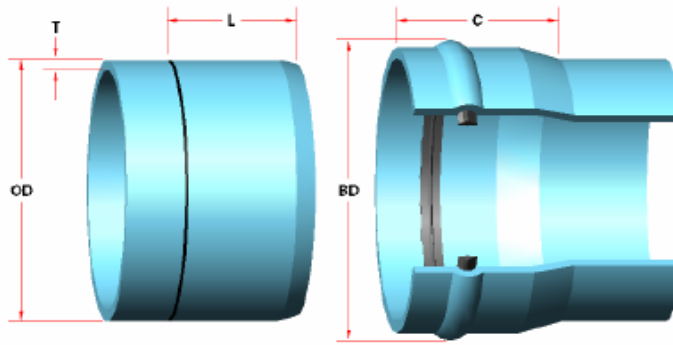


WATER MARKER TAPE

189-0100	2" X 1000' BLUE DETECTABLE TAPE - WATER	
----------	-----------------------------------------	--



AWWA C-900 Municipal Water Pipe



NOMINAL PIPE SIZE	OUTSIDE DIA. – NOM. (OD)	*APPROX. BELL DIA. (BD)	**APPROX. BELL DEPTH (C)	INSERT MARK (L)
4"	4.80	6.50	6.11	3.88
6"	6.90	9.25	7.34	5.13
8"	9.05	11.75	9.08	6.13
10"	11.10	14.25	9.75	6.63
12"	13.20	16.75	11.02	7.38

